

Messing magneetventiel 2/2 direct gestuurd

Productnummer **8157**

Geschikt voor de maten van 1/8" tot en met 1/4"

Presentation:

Direct acting S.V. for interception of fluids compatible with the construction materials. Minimum operational pressure is not required. The materials used and the tests carried out ensure maximum reliability and duration.

Use: Automation
Heating

Pipes: G 1/8 - G 1/4

Coils: 8W - Ø 13 (1)
BDA - BSA 155°C (class F)
BDV 180°C (class H)
12W - Ø 13
UDA 155°C (class F)
14W - Ø 13
GDH - GDV 180°C (class H)

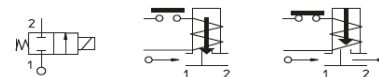
(1) Explosion-proof housing for coils with electrical connections EN 175301-803 on request.



COIL HOUSING AND COIL FORMER MATERIAL ARE MADE BY 100% VIRGIN MATERIAL.

Gaskets	Temperature		Medium
V=FKM (fluoroelastomer)	- 10°C	+140°C	Mineral oils (2°E), gasoline gas oil, fuel oils (7°E)
B=NBR (nitrile rubber)	- 10°C	+ 90°C	Air, inert gas, water
E=EPDM (ethylene-propylene)	- 10°C	+140°C	Water, steam

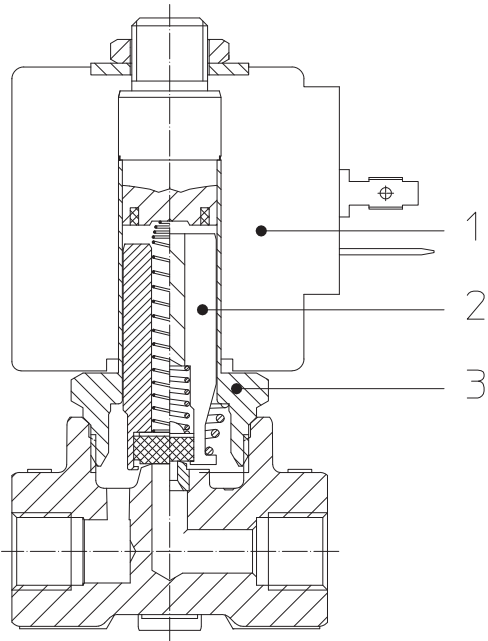
Max. allowable pressure (PS) 40 bar
Ambient temperature:
See coils catalogue page for its compatibility.



Pipe ISO 228/1	Code	Max viscosity		Ø mm	Kv l/mn	Power watt	Pressure				
		cSt	°E				min bar	M.O.P.D.			
							AC bar	DC bar			
G 1/8	21A3KV10	12	~ 2	1	0,45	8	0	35	35		
						12					
	21A3KV15	37	~ 5	2	2	8				30	18
						12				22	16
	21A3KV20	53	~ 7	2,5	3,2	12				35	30
						14				14	9
	21A3KV25	53	~ 7	3	4	8				30	25
						12				10	6
	21A3KV30	53	~ 7	3	4	12				25	18
						14				20	20
	21A3KV45	53	~ 7	4,5	6,5	8				5	2
						12				12	7
G 1/4	21A2KV10	12	~ 2	1	0,45	8	0	35	35		
						12					
	21A2KV15	37	~ 5	2	2	12				30	18
						14				22	16
	21A2KV20	53	~ 7	2,5	3,2	8				35	30
						12				14	9
	21A2KV25	53	~ 7	3	4	12				30	25
						14				10	6
	21A2KV30	53	~ 7	3	4	8				25	18
						12				20	20
	21A2KV45	53	~ 7	4,5	6,5	14				5	2
						8				12	7
21A2KV55	53	~ 7	5,5	9	12	12	8				
					14	3	1				
21A2KV55	53	~ 7	5,5	9	8	7	2,5				
					12	10	5				

Note Also available with brass body without lead.

Messing magneetventiel 2/2 direct gestuurd



Materials:

Body Brass - UNI EN 12165 CW617N
Armature tube Stainless steel AISI series 300
Fixed core Stainless steel AISI series 400
Plunger Stainless steel AISI series 400
Phase displacement ring Copper - Cu 99,9%
Spring Stainless steel AISI series 300
Seal Standard: V=FKM
 On request: B=NBR E=EPDM

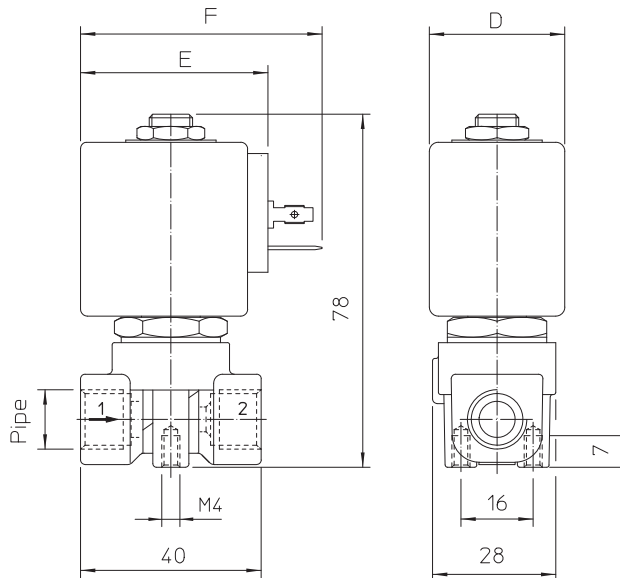
Orifice:
 ≤ 3 mm **Insert slot** Stainless steel AISI series 300
 > 3 mm Brass - UNI EN 12165 CW617N

On request: Pg 9 or Pg 11
Connector ISO 4400
Connector conformity

Features:

Electrical conformity IEC 335
Protection degree IP 65 EN 60529 (DIN 40050)
 with coil fitted by connector.

Dimensions:



Pipe ISO 228/1
G 1/8
G 1/4

COIL TYPE	POWER ABSORPTION			DIMENSIONS		
	W =	Hold VA ~	Inrush VA ~	D mm	E mm	F mm
B	8	14,5	25	30	42	54
U	12	23	35	36	48	60
G	14	27	43	52	55	67